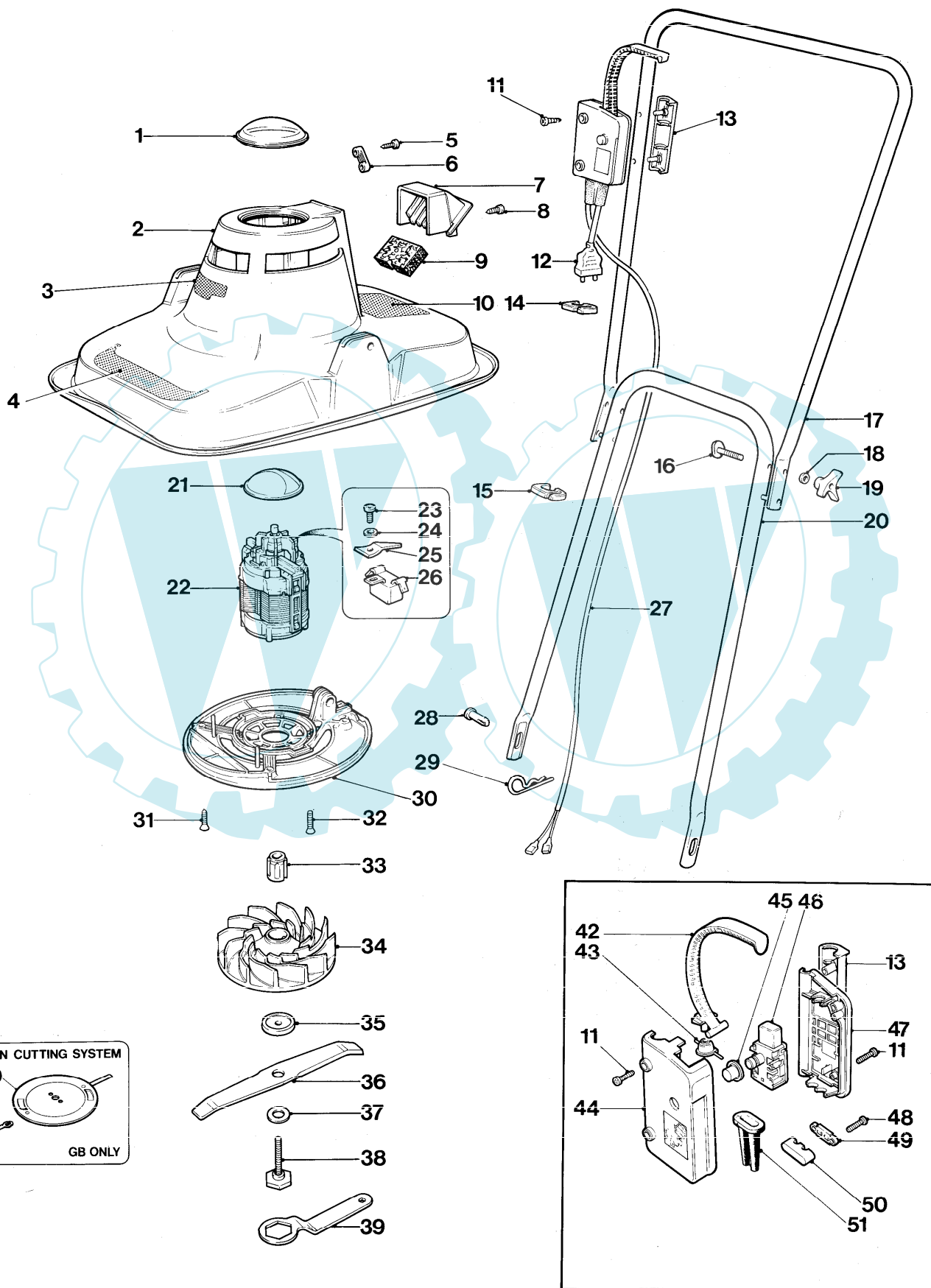


Flymo

E25-3 TWIN 9635041
9635042



TWIN CUTTING SYSTEM
 40
 41
 GB ONLY



E25-3 TWIN 9635041 9635042

KEY No.	PART No	DESCRIPTION	QUANTITY	COMMENTS APPLICATION	KEY No.	PART No	DESCRIPTION	QUANTITY	COMMENTS APPLICATION
1	5126120-02/0	LENS	1		33	5136297-00/8	INSERT IMPELLER	1	
2	5106145-03/9	HOOD 25CM	1		34	5116263-00/2	IMPELLER	1	
3	5148187-01/5	LABEL E25 TWIN	1	GB	35	5136240-01/6	BLADE SPACER	2	
	5148128-01/9	LABEL E25	1		36	5126535-00/3	BLADE 25cm	1	GB.O/S
4	5136725-00/8	LABEL FLYMO	1			5126179-00/0	BLADE 25cm	1	
5	5146941-00/9	SCREW HI-LO 04.32 x 16LG PAN	2		37	5148259-00/4	ANTI FRICTION WASHER (PTFE)	1	
6	5140705-00/4	CABLE CLAMP	1		38	5137608-00/5	BLADE BOLT ASSY	1	
7	5116330-02/7	FILTER SHROUD	1		39	5126682-00/3	SPANNER/SCRAPER	1	
8	5146941-00/9	SCREW HI-LO 04.32 x 16LG PAN	1		40	5137557-00/4	DISC ASSY	1	GB.EI.
9	5146738-00/9	FILTER	1		41	5148257-02/4	CUTTER PLASTIC LONG LIFE	2	GB.EI.
10	5146467-00/5	LABEL WARNING ELECTRIC	1	GB.O/S.E.P.EI.	42	5116963-00/9	SWITCH ACTUATING LEVER	1	
	5136708-01/2	LABEL WARNING ELECTRIC	1	F.B.NL.CH.	43	5130406-01/9	SEAL CONE	1	
	5136712-01/4	LABEL WARNING ELECTRIC	1	I.DK.N.	44	5106263-01/4	SWITCH BOX BODY	1	
	5136729-01/8	LABEL WARNING ELECTRIC	1	GB.O/S.EP.IE.	45	5148253-00/7	COVER LOCK-OFF	1	
11	5146672-00/0	SCREW GKN POLYMATE	4		46	5137538-03/8	SWITCH ON/OFF LOCK/OFF	1	
12	5136621-02/5	LEAD TERMINAL C/W PLUG	1	GB.	46*	5148440-00/0	SWITCH ON/OFF LOCK/OFF	1	GB
	5147000-01/1	LEAD TERMINAL .5M	1	F.B.NL.DK.I.SF.A.N.	47	5106264-01/2	SWITCH BOX COVER	1	
	5147000-07/8	LEAD TERMINAL 0.26M	1	CH.	48	5146672-00/0	SCREW GKN POLYMATE	2	
	5147001-43/1	LEAD TERMINAL 15.5Mm x .75mm	1	GB.O/S.E.P.EI.	49	5146616-00/7	CLAMP CABLE	1	
13	5116959-01/5	SWITCHBOX RETAINER	1		50	5137509-00/5	CABLE CLAMP BASE	1	
14	5137750-00/5	CABLE CLIP	1		51	5141584-01/0	SLEEVE PROTECTION	1	
15	5137750-00/5	CABLE CLIP	1						
16	5140607-00/2	BOLT HANDLE ¼ UNC X 45LG	2						
17	5126816-02/3	HANDLE/LABEL ASSY	1						
18	5140266-00/7	WASHER	2						
19	5140690-00/8	KNOB WING	2						
20	5117082-00/7	HANDLE LOWER	1						
21	5136241-01/4	DISC WARNING ASSY	1						
22	5126534-01/4	MOTOR 240 VOLT	1	GB.					
	5126534-02/2	MOTOR 220 VOLT	1						
23	7241293-61/7	SCREW THREAD FORMING	1						
24	7352136-51/4	LOCKWASHER	1						
25	113721-00/5	CLIP	1						
26	113030-01/9	SUPPRESSOR 0.15MF	1						
27	5147001-46/4	LEAD INTERNAL	1	O/S.E.P.EI					
	5147001-34/0	LEAD INTERNAL	1	F.B.NL.A.					
	5147001-44/9	LEAD INTERNAL	1	CH					
28	5140092-00/7	PIN LOCKING	2						
29	5140423-00/4	PIN RETAINING	2						
30	5106045-00/7	MOTOR MOUNTING BRACKET	1						
31	5146736-00/3	SCREW HIGH/LOW	4						
32	5146866-00/8	SCREW M5X16LG CSK	4						

* Fitted to Product Number 9635041-26 only.

WHERE NO APPLICATION DETAILS ARE SHOWN PART APPLIES TO ALL COUNTRIES

PRODUCT VARIANT

9635041-25 GB	9635042-71 SF.	9635042-74 N.DK.I.	9635042-77 O/S.E.P.EI
9635042-18 EIRE	9635042-72 F.B.NL.A.	9635042-76 CH	9635041-26 GB

ISSUED 10/89

Ihr Ersatzteilspezialist im Internet